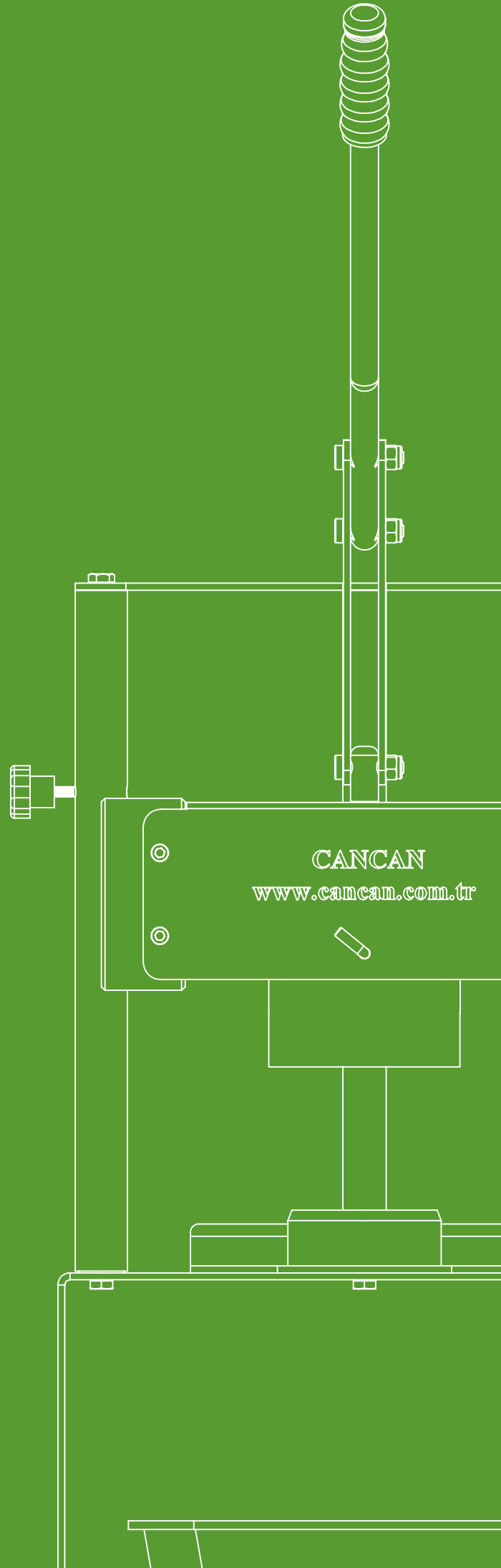


# CANCAN®

• SINCE 1958 •

## PINEAPPLE PEELER MACHINE

Horeca Equipment For Professionals





CANCAN was founded in 1958 by the late Salih Özüođurlu in its production center Ankara, in order to serve the food sector with repairing of orange squeezing machines, kitchen appliances and following with the production of these machinery.

As the second generation, Tunç ÖZÜÜĐURLU who took over the management in 1984 and continues to manage the company, saw that the foodservice industry would develop more and more in Turkey. In 1994, the company received the trademark registration.

The company located in Ankara, İvedik Organized Industrial Zone, started its production in Sakarya since the year 2000. Today the Company CANCAN, produces manual and automatic orange juicers, pomegranate-grapefruit-lemon juicer machines, washing equipments, can openers and peeler machines in its 3200 squaremeters production facility together with the help of Cnc machines and milling machines by shaping the metals, under one roof.



### **Production Capacity and Exporting**

The annual production capacity of the company is around 50 thousand units. CANCAN, who attaches great importance to exporting, exports 35 percent of its production. Our primary goal is to become a sought-after brand worldwide with our quality.

### **Annual Growth Rates**

Since 2016, our company has grown by 20% and 25% each year. The company exports directly to 5 continents and 30 countries and continues to search for new markets.

### **Competitive Structure**

CANCAN, who prioritizes research and development and devotes a significant part of its annual turnover to R & D activities, competes with world brands with its innovative equipment.

### **Sector-Specific**

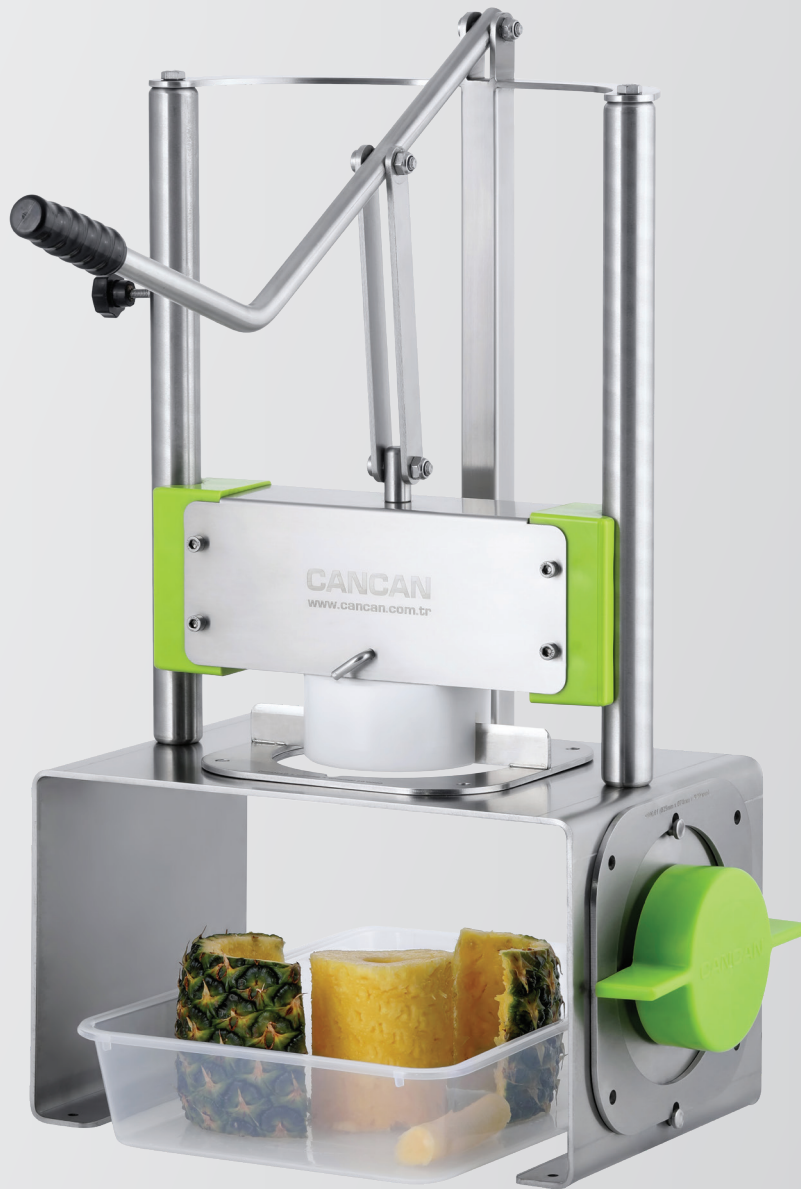
Besides the production of industrial kitchen equipment and food preparation machines in accordance with the sector's developments and demands, CANCAN produces special machines that are not produced in Turkey before or that are in very few numbers produced.



*Best Seller Product Of 2019*

# PINEAPPLE PEELER MACHINE

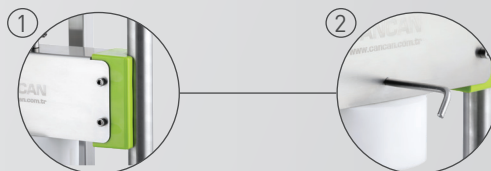




*Very Easy To Cut Pineapple*

## **HOLD... PULL... RELEASE**

Pineapple peeler is designed to remove shell and core from pineapple fruit with a single movement without requiring much power in places such as hotels, restaurants, shopping centers, supermarkets and grocery stores.



### **① Polyethylene Slide**

Pineapple is easily cut with help of specially designed oval structure of polyethylene green slides.

### **② Pushing Wedge Pin**

It is a system designed to remove and clean the white pushing wedge easily from the machine.

*The Safest & Sharpest In The World...*

# SAFETY FIRST

Safety pin on the left side of the pineapple machine is designed to prevent the machine's body from falling down after peeling pineapple. The easy-to-use pin keeps the body up by pushing forward with a single move.



## ③ Blade Cover

There is a blade hanging device on the pineapple peeling machine. Thus the spare blade does not occupy much space.

## ④ Soft Lines

The edges of the pineapple machine are made with a smooth transition to avoid any injuries. In this way, work accidents are minimized.

## ⑤ Safety Pin

Safety pin on the left side of the pineapple machine is designed to prevent the machine's body from falling down after peeling the pineapple. The easy-to-use pin keeps the body up by pushing forward with a single move.



All In One

# BLADE OPTIONS

There are 4 different blade sizes depending on the size of the pineapple. The blades have a cover for safety. The safety cover prevents possible injury.



## ⑥ Pushing Wedge

The pushing wedge that cuts the pineapple by pressing the top of the pineapple fruit is totally suitable to food standards.

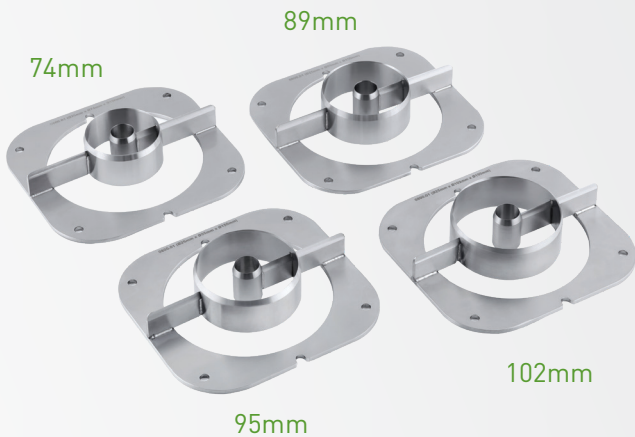
Thanks to the blade structure which is compatible with the knife, it ensures cutting without loss. It can be easily cleaned.

## ⑦ Stainless Steel Blade

The stainless blade has four different diameters depending on the size of the pineapples. Thus, it adapts to all different sizes of pineapples.

The blade is specially made and does not blunt except for impact. There are two different size blades in the body.

## Blade Options According To Pineapple Diameters









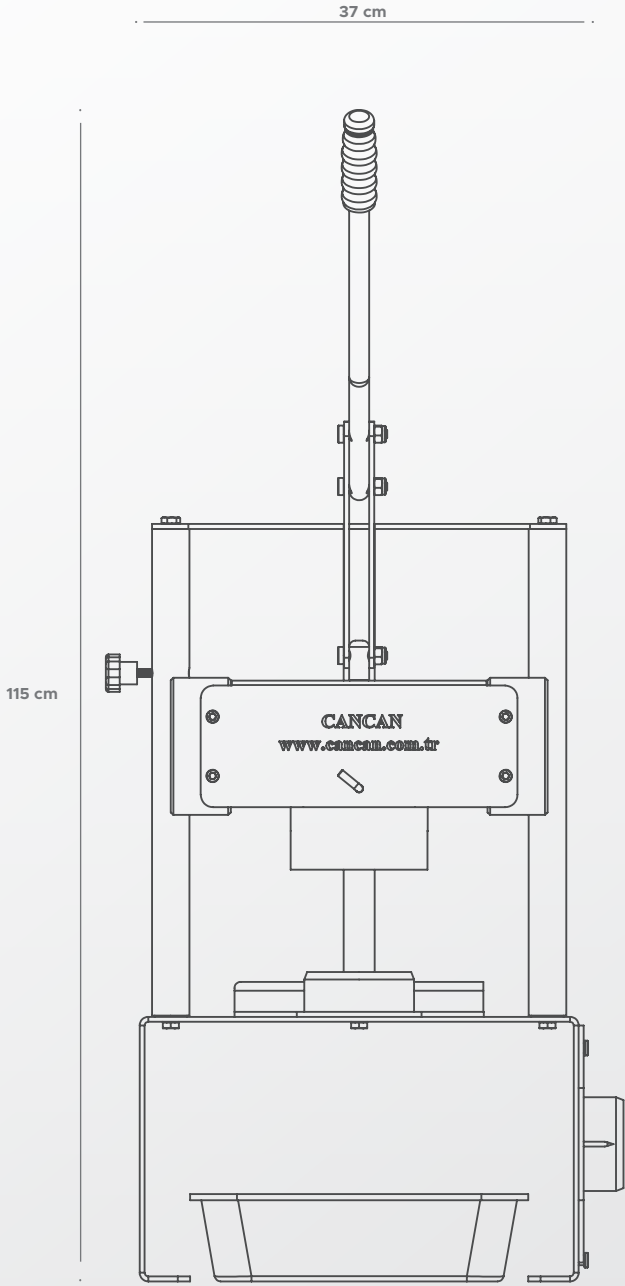
*Make Your Work Easier*

## **STAINLESS STEEL STAND**

The stainless stand that has two options, with and without shelves, is designed for storage of the pineapples. It does not slip on the floor due to the plastic bases that is located under the stand.

Pineapple Peeler Machine

# TECHNICAL SPECIFICATIONS

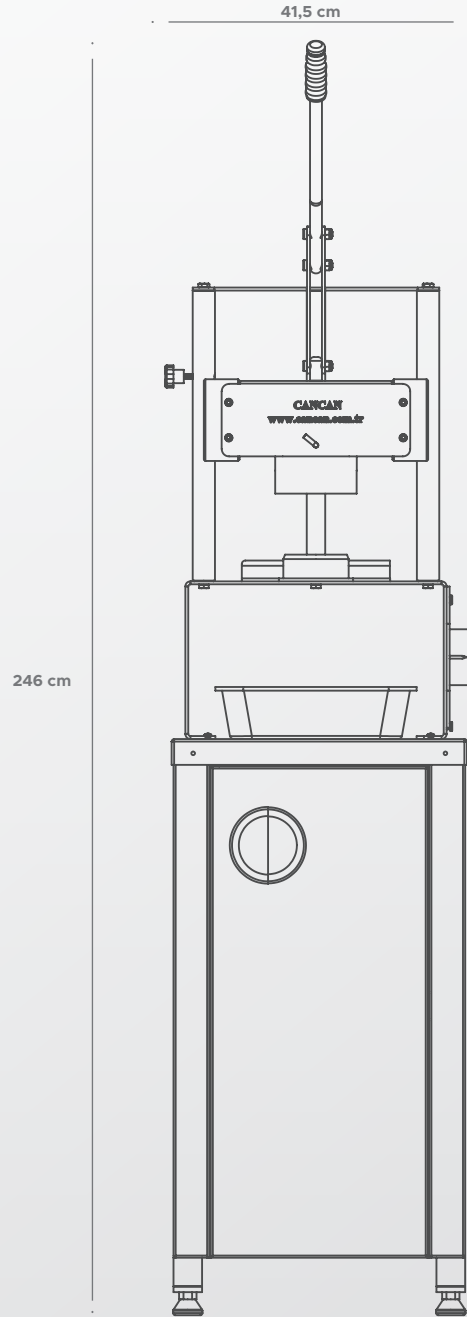


**Product Code:** 0801  
**Product Name:** Pineapple Peeler Machine

---

<b>Weight:</b>	12,75 kg
<b>Width:</b>	37 cm
<b>Depth:</b>	55 cm
<b>Height Arm Down:</b>	65 cm
<b>Height Arm Up:</b>	115 cm

---



**Product Code:** 0801 - 1103  
**Product Name:** Pineapple Peeler Machine With Stand

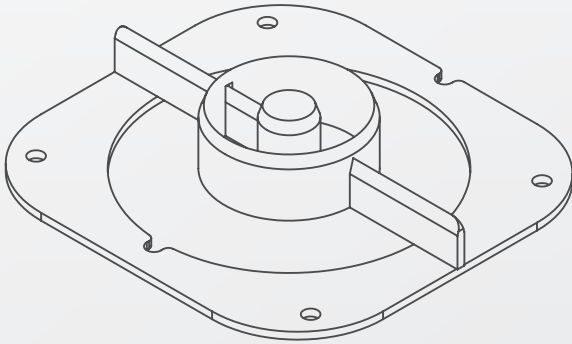
---

<b>Weight:</b>	31,75 kg
<b>Width:</b>	41,5 cm
<b>Depth:</b>	65 cm
<b>Height Arm Down:</b>	147,5 cm
<b>Height Arm Up:</b>	246 cm

---

Pineapple Peeler Machine

# BLADE SIZES

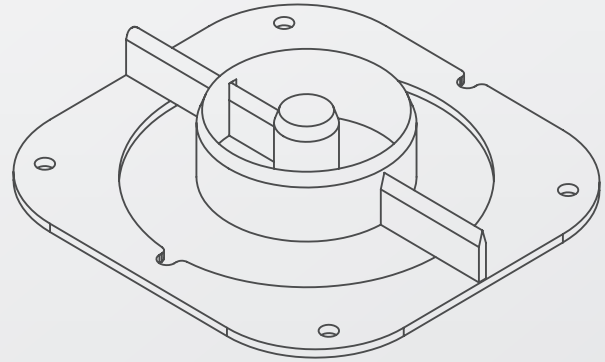


**Product Code:** 0800.01

---

<b>Blade Diameter</b>	Ø 74 mm
<b>Core Diameter</b>	Ø 25 mm
<b>Max Product Diameter</b>	Ø 150 mm
<b>Pineapple Pieces Box</b>	10-12 Pcs

---

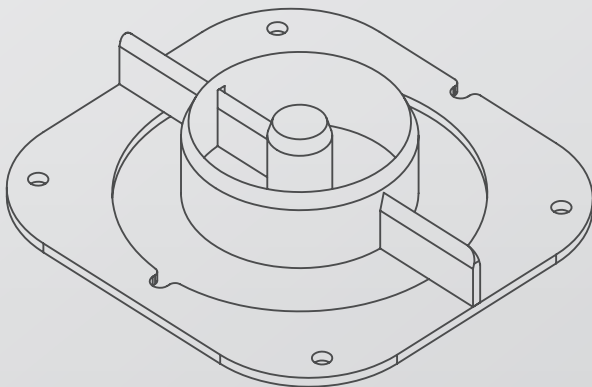


**Product Code:** 0800.02

---

<b>Blade Diameter</b>	Ø 89 mm
<b>Core Diameter</b>	Ø 25 mm
<b>Max Product Diameter</b>	Ø 150 mm
<b>Pineapple Pieces Box</b>	8-10 Pcs

---

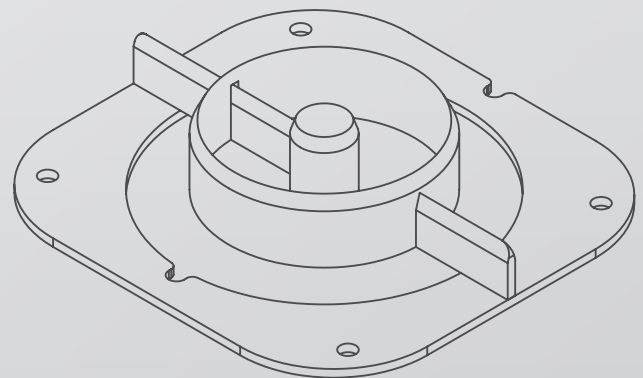


**Product Code:** 0800.03

---

<b>Blade Diameter</b>	Ø 95 mm
<b>Core Diameter</b>	Ø 25 mm
<b>Max Product Diameter</b>	Ø 150 mm
<b>Pineapple Pieces Box</b>	6-8 Pcs

---

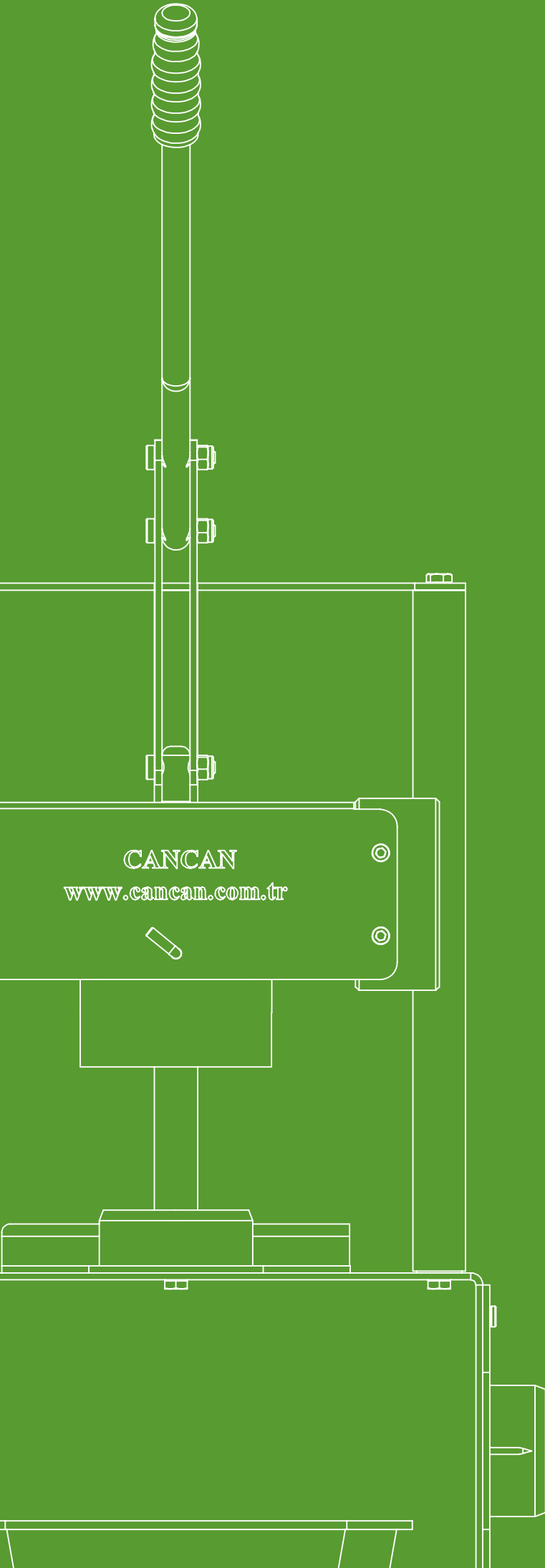


**Product Code:** 0800.04

---

<b>Blade Diameter</b>	Ø 102 mm
<b>Core Diameter</b>	Ø 25 mm
<b>Max Product Diameter</b>	Ø 150 mm
<b>Pineapple Pieces Box</b>	5-6 Pcs

---



# CANCAN®

• SINCE 1958 •

## TURKEY HEAD OFFICE

**CANCAN MEYVE PRESLERİ SAN. VE. TİC. LTD. ŞTİ.**  
Modern San. Sit. Yeşiltepe Mah. No: 15/1  
Adapazarı / SAKARYA / TÜRKİYE

T: +90 (264) 291 49 44  
F: +90 (264) 291 49 45

## EUROPE CONTACT

Phone : +32 488 77 35 69  
E-Mail : info@cancanhoreca.com

## RUSSIA CONTACT

Phone : +7 916 861 10 97  
E-Mail : dymtro@cancan.com.tr

## BELARUS CONTACT

Phone : +375 29 533 83 99  
E-Mail : natalia@cancan.com.tr

## US OFFICE

**CANCAN INDUSTRIAL KITCHEN EQUIPMENTS INC**  
Turkish Trade Center Chicago 2800-2900  
Lively Blvd. Elk Grove IL60007 USA

T: +1 847 756 72 68  
F: +1 847 430 48 03