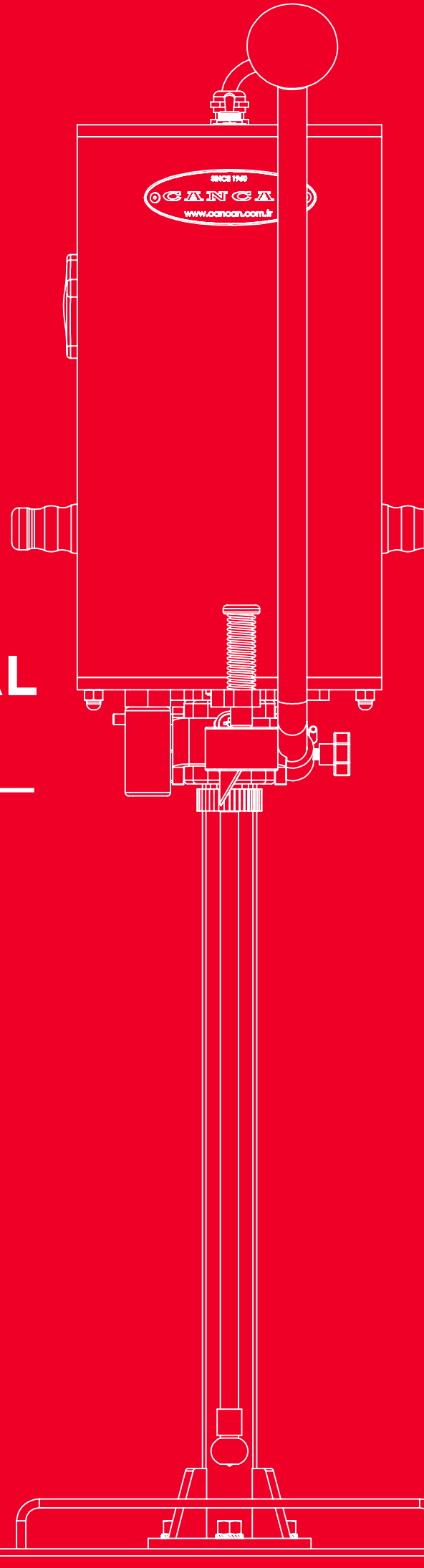


# CANCAN®

• SINCE 1958 •

## ELECTRICAL & MANUAL CAN OPENERS

Horeca Equipment For Professionals





CANCAN was founded in 1958 by the late Salih Özüođurlu in its production center Ankara, in order to serve the food sector with repairing of orange squeezing machines, kitchen appliances and following with the production of these machinery.

As the second generation, Tunç ÖZÜOđURLU who took over the management in 1984 and continues to manage the company, saw that the foodservice industry would develop more and more in Turkey. In 1994, the company received the trademark registration.

The company located in Ankara, İvedik Organized Industrial Zone, started its production in Sakarya since the year 2000. Today the Company CANCAN, produces manual and automatic orange juicers, pomegranate-grapefruit-lemon juicer machines, washing equipments, can openers and peeler machines in its 3200 squaremeters production facility together with the help of Cnc machines and milling machines by shaping the metals, under one roof.



### **Production Capacity and Exporting**

The annual production capacity of the company is around 50 thousand units. CANCAN, who attaches great importance to exporting, exports 35 percent of its production. Our primary goal is to become a sought-after brand worldwide with our quality.

### **Annual Growth Rates**

Since 2016, our company has grown by 20% and 25% each year. The company exports directly to 5 continents and 30 countries and continues to search for new markets.

### **Competitive Structure**

CANCAN, who prioritizes research and development and devotes a significant part of its annual turnover to R & D activities, competes with world brands with its innovative equipment.

### **Sector-Specific**

Besides the production of industrial kitchen equipment and food preparation machines in accordance with the sector's developments and demands, CANCAN produces special machines that are not produced in Turkey before or that are in very few numbers produced.

SINCE 1960  
**CANCAN**  
www.cancan.com.tr

*Cancan Professional Type*

# ELECTRICAL CAN OPENER





2012 - 04594



## 10 Steps In Cancan Technology

# PERFECT DESIGN

The all stainless steel professional type electric can opener is designed to open tin cans such as cheese, olive, paint cans etc. in industrial kitchens without the need of extra power in a short time and in a quickly way with the help of the rotating helical gear that prevents gliding and slipping and the special design cutting blade. Professional type electric can opener prevents possible workplace accidents.



### ① Holding Handle

It is designed to move the product up and down easily.



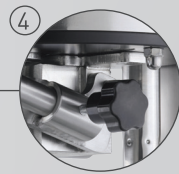
### ② Brake Handle

Designed to secure the product body at the desired height.



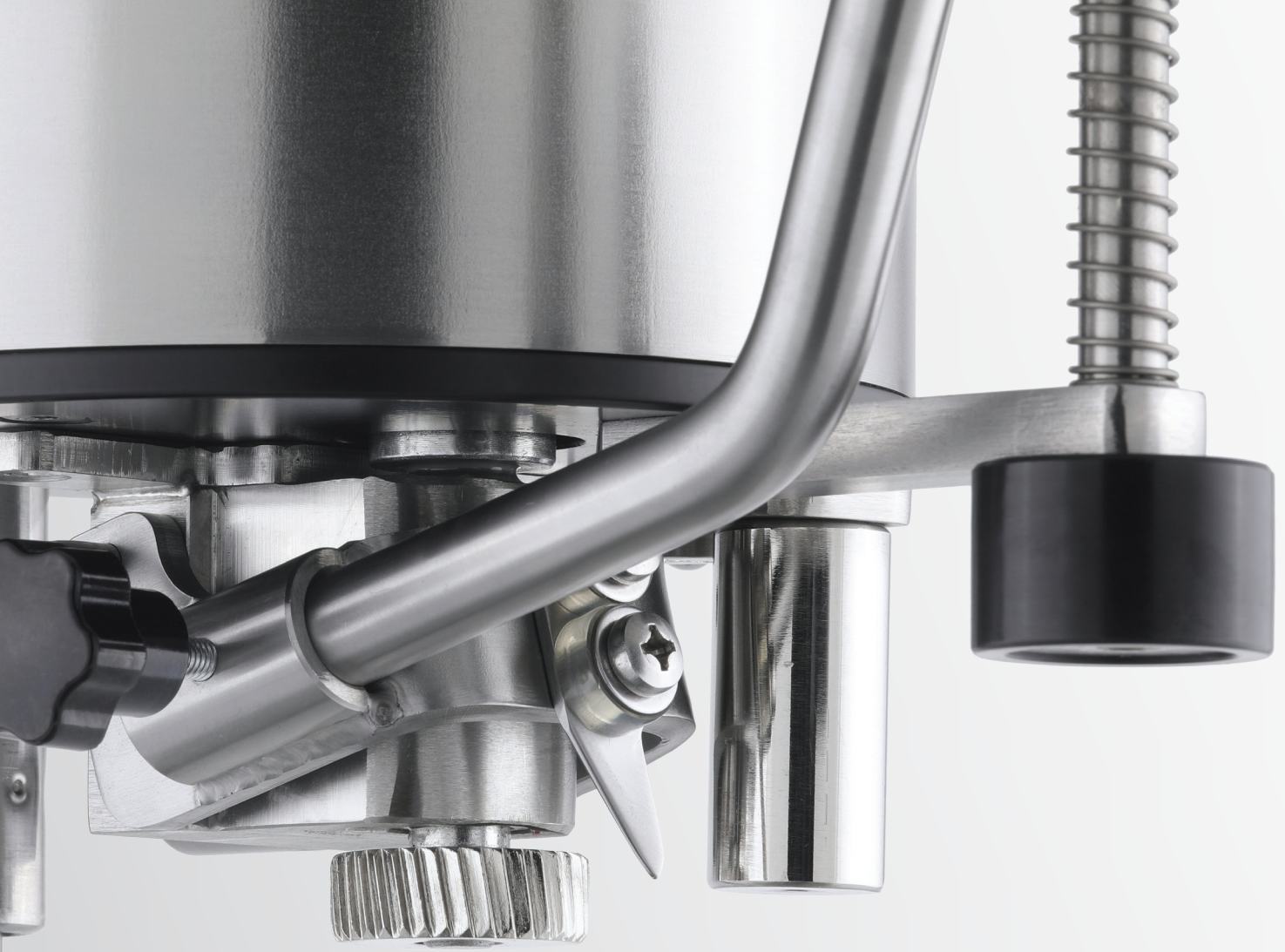
### ③ Stainless Handle

When you lower the stainless handle, the blade is fully fixed to the can and it will open cans when you start the machine.



### ④ Handle Screw

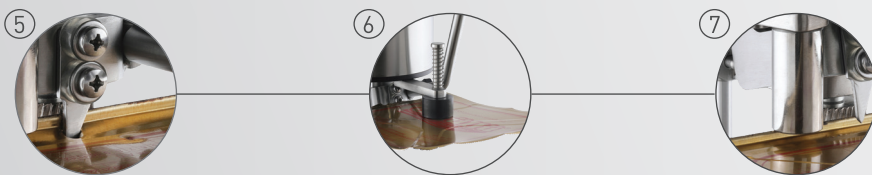
Designed to remove and clean stainless handle and blade easily.



*Priority Occupational Safety*

## NEW HELICAL GEAR

The special manufacturing stainless blade provides clean cutting by removing rough edges and metal chips. It is long lasting and durable.



### ⑤ **Stainless Blade**

Special manufacturing stainless knife provides clean cutting by removing rough edges and metal shavings. Besides the features of being long lasting and durable it doesn't blunt.

### ⑥ **Magnetic Holding Shaft**

The holding shaft with a strong magnet holds the cover and prevents the falling down of the cover into the food can after the cutting.

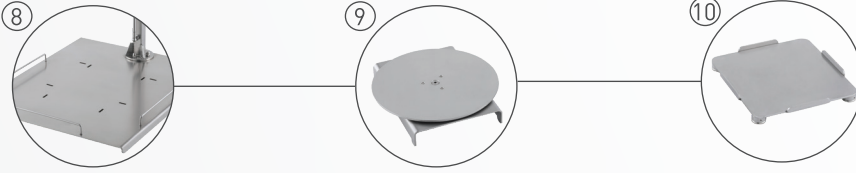
### ⑦ **Stainless Support Shaft**

It is designed to ensure that cans are fixed fully to the machine.

## Circle & Square Cut Technology

# WORK IN HARMONY

In industrial kitchens without the need of extra power in a short time and in a quickly way with the help of the rotating helical gear that prevents gliding and slipping and the special design cutting blade.



### ⑧ Stainless Base ( Foot )

The Stainless Base (Foot) that has the turntable / moving table located on, has soft lines for both appearance and safety.

### ⑨ Turntable Tray

It is designed to open the circular cans easily by rotating them 360 degrees.

### ⑩ Moving Tray

The Stainless steel tray is designed for square cans. Square food cans can be easily moved during the opening process thanks to the wheel caster under the tray legs.





*User Friendly & Practical*

# MANUAL CAN OPENER



**Tat**

alğının üzerine 2 cm kadar birkisel  
ek buzdolabında saklanmalıdır.

akemalpasa İşletmesi için MKP,  
Tat için TBL olarak kapağın  
Production Facilities, MKP for  
Tat, KCB for Katarabey, TBL for  
the Tat/Auf dem Deckel wurde  
das Muster der Kemalpasa MKP für  
Tat TBL kodiert.

تم الترميز على نحو MKP  
TBL و KCB لكراجاهای. و  
باشا.

**Origin: Turkey/ Ursprung: Türkei**  
**Manufacturer/Hersteller:**  
CANCAN SANAYİ A.Ş.

الشركة المصنعة  
CANCAN SANAYİ A.Ş.  
Tat Kavaklı Mahallesi,  
Mevkii No: 10 Tat Kavaklı  
Mahallesi Kayıt No/  
Company Registration  
No: 0303.2018.0093

رقم تسجيل شركة  
CANCAN SANAYİ A.Ş.  
Mahallesi Camandıra Mevkii  
Mahallesi Kayıt No/  
Company Registration No:  
0303.2018.0093  
رقم تسجيل شركة كراچاهای:  
Tat Pasa Mahallesi 219 Sokak  
Mahallesi Kayıt No/  
Company Registration No:  
0303.2018.0093  
رقم تسجيل شركة تورانی:  
2573  
الشركة المنتجة: شركة نات لصناعة الأ  
باشا، جي نات قواقلی موقع نات كونه  
قواقلی مصطفى كامل باشا/ بورصة ت  
موقع جالماندیوا رقم 71 کراچاهای  
سویاچی، جي عصمت باشا 219 س

ES	100 g için
ERTE	for 100 g
	für 100 g
الطاقة	ل 100 جرام
	347/83 (kj ve kcal)
saturates/ ren/الدهن المشبع	0 (g)
ates/ الدهن	0 (g)
ates/ الدهن	17,3 (g)
Davon Zucker/السكر	13,4 (g)
البروتين	5,4 (g)
	0,8 (g)





*DiamondType  
Can Opener*



*Professional Type  
Can Opener*

## EXCELLENCE MEETS

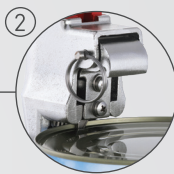


The manual can openers are providing big convenience to the users by opening either small or big cans in a safe and hygienic way in the Professional catering sector and places such as industrial kitchens, hospitals, nursing homes and school canteens.



### ① Helical Gear

Special manufacturing hardened helical gear prevents stripping and slipping and provides long lasting and durable use.



### ② Stainless Blade

The special manufacturing stainless blade provides clean cutting by removing rough edges and metal chips.



### ③ Stainless Profile

The stainless profile, which provides adjustable working range, can open all cans up to a height of 55 cm.

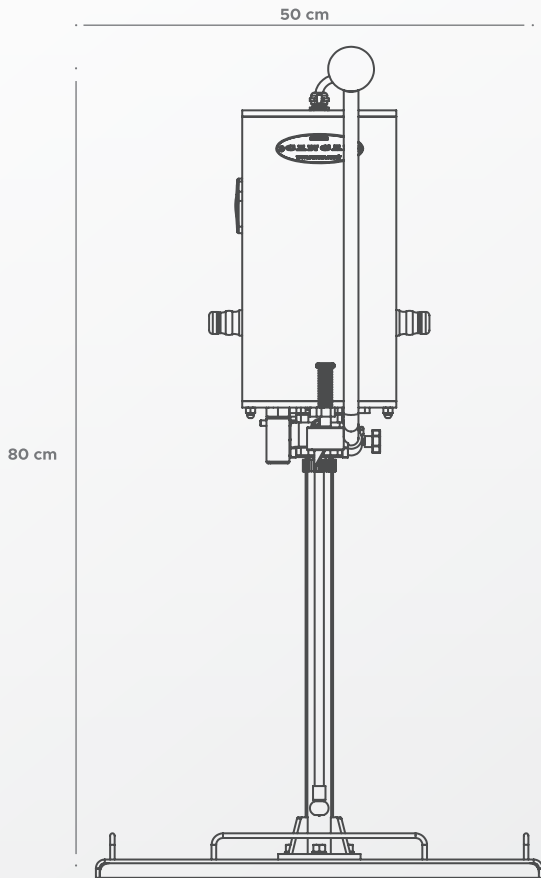


### ④ Stainless Fixing Spindle

After the can opener is seated on the table, it is easily fixed to the table with the fixing spindle so that the foot doesn't move during the opening process.

Electrical Can Openers

# TECHNICAL SPECIFICATIONS



**Product Code:** 0702  
**Product Name:** Circle Cut

---

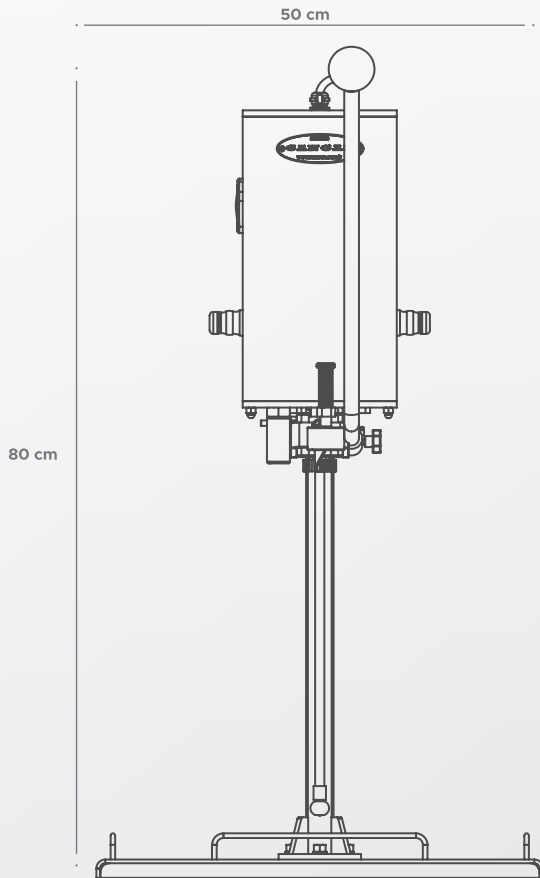
**Cutting Type:** Circle  
**Can Opening Capacity:** 3 - 8 Pcs/ min.

**Can Size:** 60 - 240mm  
Height Invertal Circle

**Motor:** 0,18 kw  
**Power:** 220 - 230 V  
**Frequency:** 50 - 60 Hz

**Weight:** 30 kg  
**Width:** 50 cm  
**Depth:** 31 cm  
**Height:** 80 cm

---



**Product Code:** 0703  
**Product Name:** Circle - Square Cut

---

**Cutting Type:** Circle - Square  
**Can Opening Capacity:** 3 - 8 Pcs/ min.

120 - 345mm  
Height Invertal Circle  
130 - 350mm  
Height Invertal Square

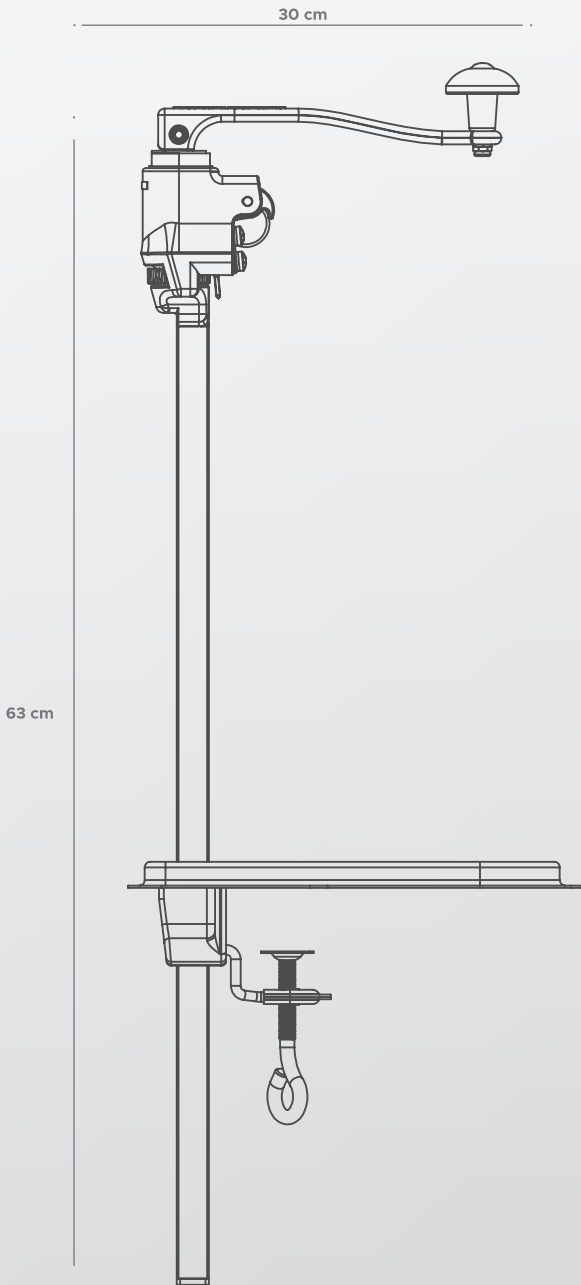
**Motor:** 0,18 kw  
**Power:** 220 - 230 V  
**Frequency:** 50 - 60 Hz

**Weight:** 36 kg  
**Width:** 50 cm  
**Depth:** 31 cm  
**Height:** 80 cm

---

Manuel Can Openers

# TECHNICAL SPECIFICATIONS

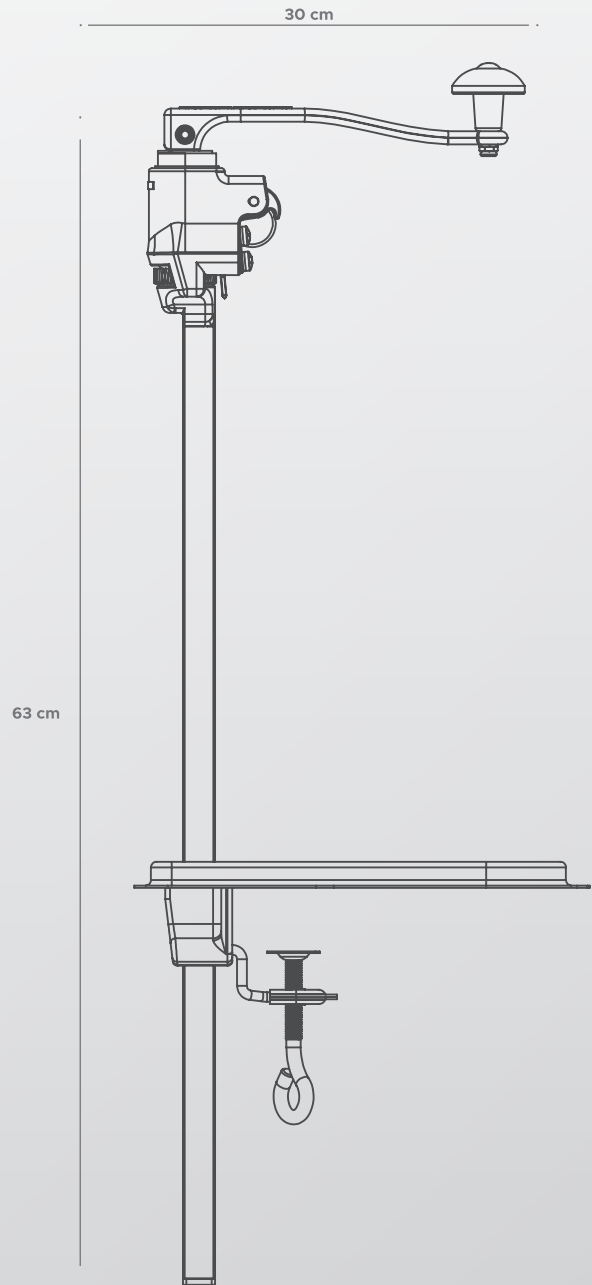


**Product Code:** 0302  
**Product Name:** Professional Type

---

**Daily Capacity:** 40 - 65 cans  
.....  
**Weight:** 2 kg  
.....  
**Profile Height:** 63 cm  
.....

---



**Product Code:** 0303  
**Product Name:** Diamond Type

---

**Daily Capacity:** 65 - 100 cans  
.....  
**Weight:** 3 kg  
.....  
**Profile Height:** 63 cm  
.....

---



# CANCAN®

• SINCE 1958 •

## TURKEY HEAD OFFICE

**CANCAN MEYVE PRESLERİ SAN. VE. TİC. LTD. ŞTİ.**  
Modern San. Sit. Yeşiltepe Mah. No: 15/1  
Adapazarı / SAKARYA / TÜRKİYE

T: +90 (264) 291 49 44  
F: +90 (264) 291 49 45

## EUROPE CONTACT

Phone : +32 488 77 35 69  
E-Mail : info@cancanhoreca.com

## RUSSIA CONTACT

Phone : +7 916 861 10 97  
E-Mail : dmytro@cancan.com.tr

## BELARUS CONTACT

Phone : +375 29 533 83 99  
E-Mail : natalia@cancan.com.tr

## US OFFICE

**CANCAN INDUSTRIAL KITCHEN EQUIPMENTS INC**  
Turkish Trade Center Chicago 2800-2900  
Lively Blvd. Elk Grove IL60007 USA

T: +1 847 756 72 68  
F: +1 847 430 48 03

