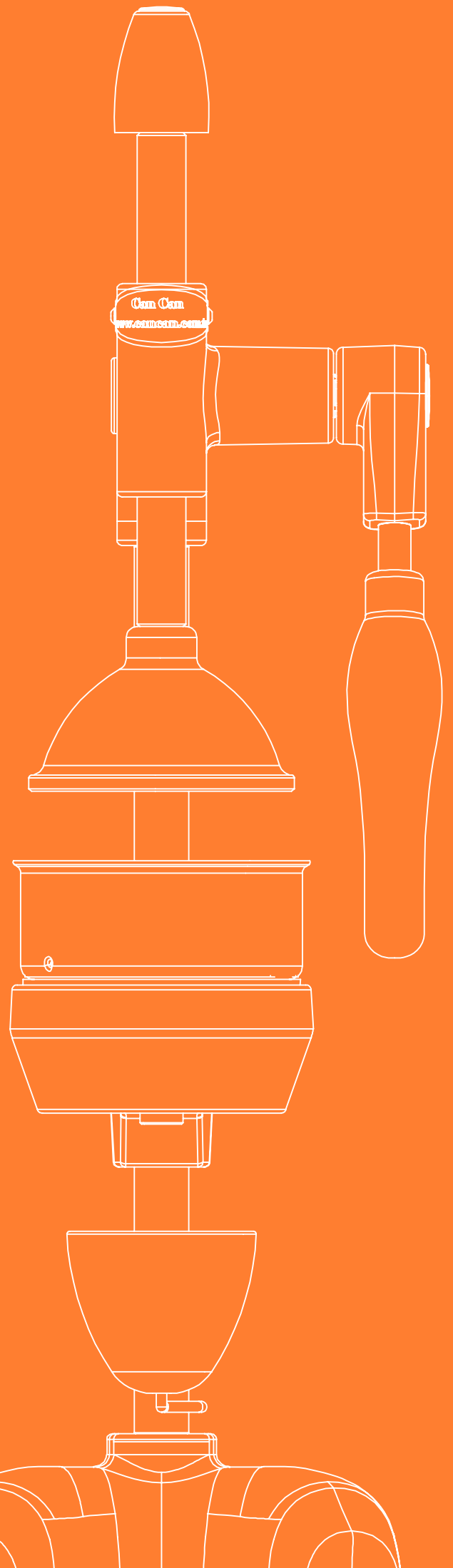


CANCAN®

• SINCE 1958 •

MANUAL FRUIT JUICERS

Horeca Equipment For Professionals





CANCAN was founded in 1958 by the late Salih Özüoğurlu in its production center Ankara, in order to serve the food sector with repairing of orange squeezing machines, kitchen appliances and following with the production of these machinery.

As the second generation, Tunç ÖZÜOĞURLU who took over the management in 1984 and continues to manage the company, saw that the foodservice industry would develop more and more in Turkey. In 1994, the company received the trademark registration.

The company located in Ankara, İvedik Organized Industrial Zone, started its production in Sakarya since the year 2000. Today the Company CANCAN, produces manual and automatic orange juicers, pomegranate-grapefruit-lemon juicer machines, washing equipments, can openers and peeler machines in its 3200 squaremeters production facility together with the help of Cnc machines and milling machines by shaping the metals, under one roof.



Production Capacity and Exporting

The annual production capacity of the company is around 50 thousand units. CANCAN, who attaches great importance to exporting, exports 35 percent of its production. Our primary goal is to become a sought-after brand worldwide with our quality.

Annual Growth Rates

Since 2016, our company has grown by 20% and 25% each year. The company exports directly to 5 continents and 30 countries and continues to search for new markets.

Competitive Structure

CANCAN, who prioritizes research and development and devotes a significant part of its annual turnover to R & D activities, competes with world brands with its innovative equipment.

Sector-Specific

Besides the production of industrial kitchen equipment and food preparation machines in accordance with the sector's developments and demands, CANCAN produces special machines that are not produced in Turkey before or that are in very few numbers produced.

The Most Popular Juicer In The World

MANUAL JUICERS

Manual fruit juicers are designed to squeeze citrus fruits such as oranges, pomegranates, grapefruits, lemons and tangerines the most productive way to save time, without the need of extra power. The ergonomic structure provides advantage to the user. Usage and cleaning is easy.



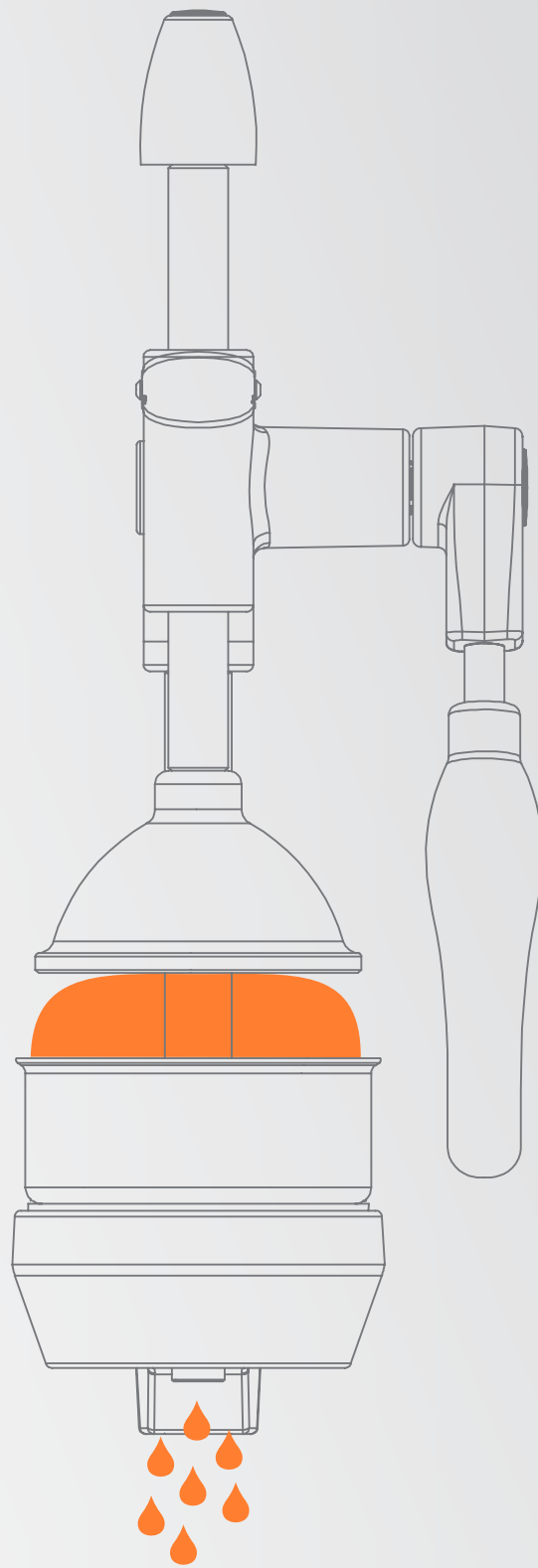
0102
Professional Type



0101
Domestic Type



0103
Pomegranate Type



All Cancan Manual Fruit Juicers

**NATIONAL SANITATION
FOUNDATION CERTIFIED**



Manual fruit juicers which are completely suitable for food, are certified by the NSF certificate, which is a certificate of conformity to human health, with all parts and raw materials of the product.

Rotating in Two Rounds

ERGONOMIC ROTATING ARM

The special designed rotation arm provides the user to squeeze the fruits without using extra power and time saving by turning it 2 rounds.

The ergonomically designed arm applies 90 kg of squeezing force to the unit area.



High Squeezing Performance

LOCKING STAINLESS STRAINER

The strainer is locked to the bowl with the help of connecting tabs made on both sides of the bowl. This prevents the strainer from rising up by sticking to the fruit pulp during the squeezing process.

The strainer made of stainless steel, provides high squeezing performance thanks to its gradual and angled hole system. The expanded design reduces the amount of pulp to a minimum level. It can be easily washed in the dishwasher.

For Large Or Small Oranges

EXPANDED INTERNAL VOLUME

Thanks to the upper press that grips the strainer wholly and is settled completely on the bowl, it provides the optimum squeezing process. Thanks to the expanded volume of the bowl and the standard distance between the upper press and the strainer, it provides a comfortable and effective operation.





Keep Your Working Area Clean

ELEGANT DROPPER

Thanks to the dropper, it is prevented from dropping the juice between squeezing processes.

Anti - Slip Design

PLASTIC BASES

Thanks to the anti-slip plastic base, the juicer will be fully seated to the floor and this will provide an easy squeezing process.



Special Design Cancan

LOCKING STAINLESS BOWL

The fixing add-on that is underneath the bowl is locked to the bowl pool and prevents the bowl separating from the bowl pool during squeezing process.

Cancan Manual Fruit Juicers

DISTINGUISHING FEATURES



0101 - Domestic Type Manual Fruit Juicer

It has a strainer with a locking system.

The bowl, the strainer and the upper press's diameters are 10 cm.

It is made for domestic users and smaller in size than the other models.



0102 - Professional Type Manual Fruit Juicer

It has a strainer and a bowl both with a locking system.

The bowl, the strainer and the upper press's diameters are 10 cm.

It has a dropper that prevents dropping the juice between squeezing processes.

It is designed to be used at places such as Cafes, kiosks, restaurants.



0103 - Pomegranate Type Manual Fruit Juicer

It has a strainer and a bowl both with a locking system.

The bowl, strainer and upper press are designed as 11,5 cm diameter to squeeze the big sized pomegranates easier.

It has a dropper that prevents dropping the juice between squeezing processes.

The handle is designed to provide the user convenience during squeezing process.

It is designed to be used at places such as Cafes, kiosks, restaurants.



Domestic Type Strainer & Bowl



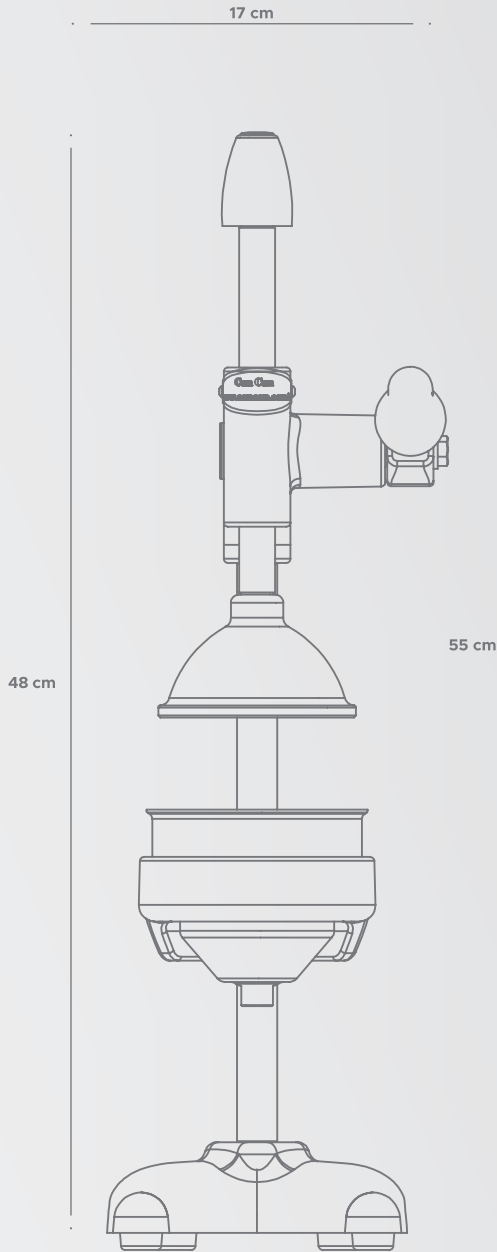
Professional Type Strainer & Bowl



Pomegranate Type Strainer & Bowl

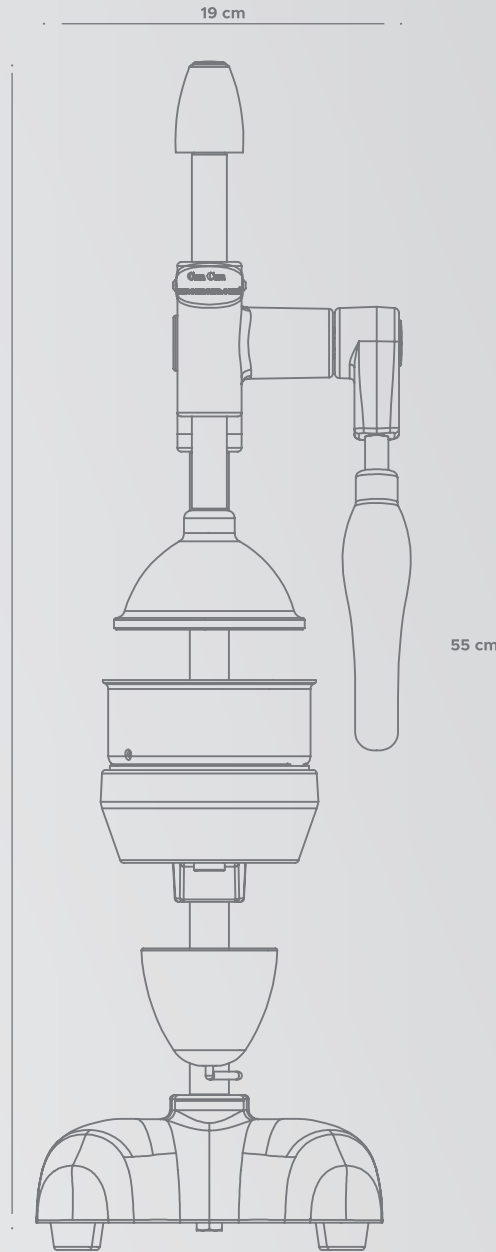
Cancan Manual Fruit Juicers

TECHNICAL SPECIFICATIONS



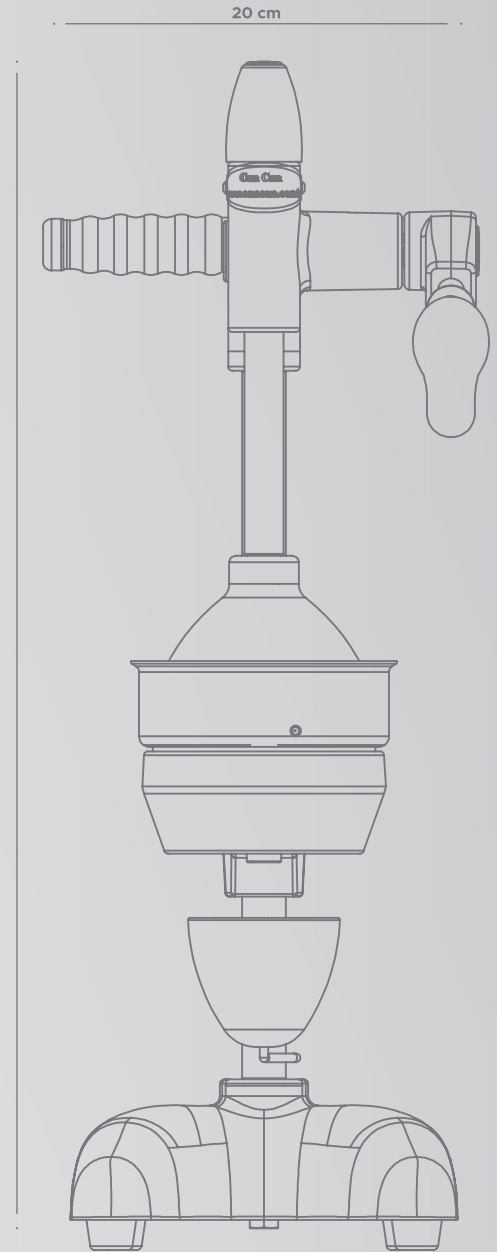
Product Code: 0101
Product Name: Domestic Type

Weight: 4 kg
Width: 17 cm
Depth: 28 cm
Height: 48 cm



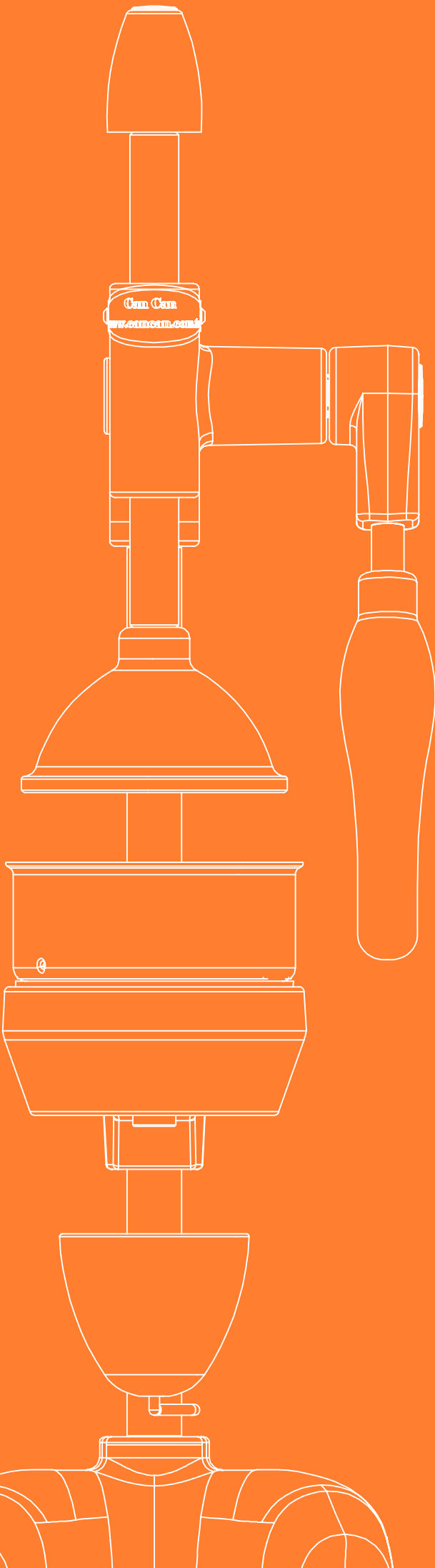
Product Code: 0102
Product Name: Professional Type

Weight: 5,5 kg
Width: 19 cm
Depth: 29 cm
Height: 55 cm



Product Code: 0103
Product Name: Pomegranate Type

Weight: 6 kg
Width: 20 cm
Depth: 30 cm
Height: 55 cm



CANCAN®

• SINCE 1958 •

TURKEY HEAD OFFICE

CANCAN MEYVE PRESLERİ SAN. VE. TİC. LTD. ŞTİ.
Modern San. Sit. Yeşiltepe Mah. No: 15/1
Adapazarı / SAKARYA / TÜRKİYE

T: +90 (264) 291 49 44
F: +90 (264) 291 49 45

EUROPE CONTACT

Phone : +32 488 77 35 69
E-Mail : info@cancanhoreca.com

RUSSIA CONTACT

Phone : +7 916 861 10 97
E-Mail : dmytro@cancan.com.tr

BELARUS CONTACT

Phone : +375 29 533 83 99
E-Mail : natalia@cancan.com.tr

US OFFICE

CANCAN INDUSTRIAL KITCHEN EQUIPMENTS INC
Turkish Trade Center Chicago 2800-2900
Lively Blvd. Elk Grove IL60007 USA

T: +1 847 756 72 68
F: +1 847 430 48 03